

PROAIM

7.2ft Wave Fold Video Camera Jib Crane (JB-WVFD-01)



All rights reserved.

No part of this document may be reproduced, stored in a retrieval system, or transmitted by any form or by any means, electronic, mechanical, photo-copying, recording, or otherwise, except as may be expressly permitted by the applicable copyright statutes or in writing by the Publisher.

What's In The Box

Please inspect the contents of your shipped package to ensure you have received everything that is listed below.



Wave Fold Jib



100mm Bowl

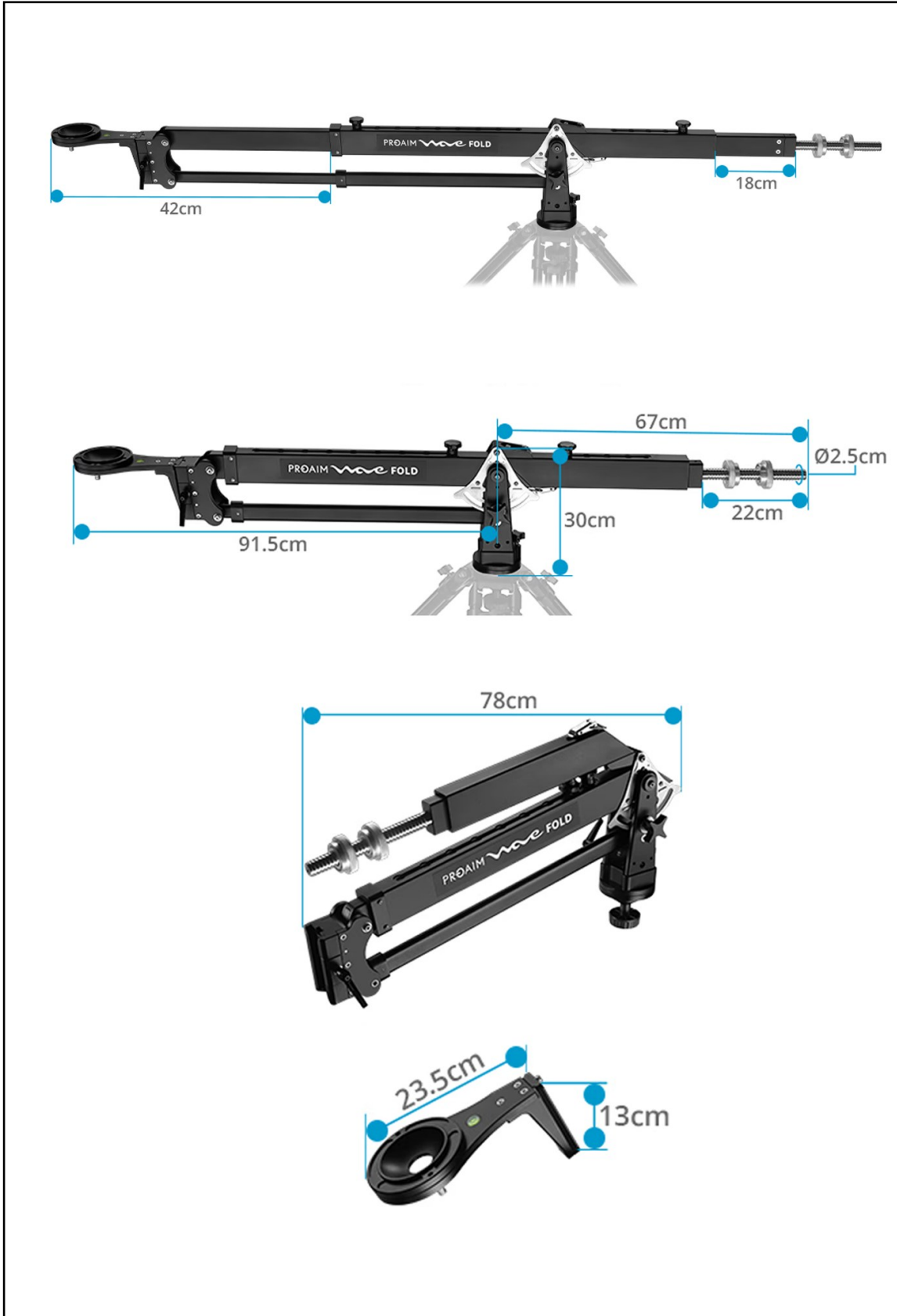


Bag Packing

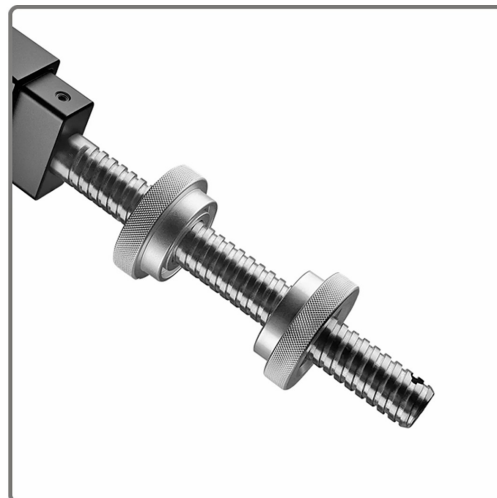
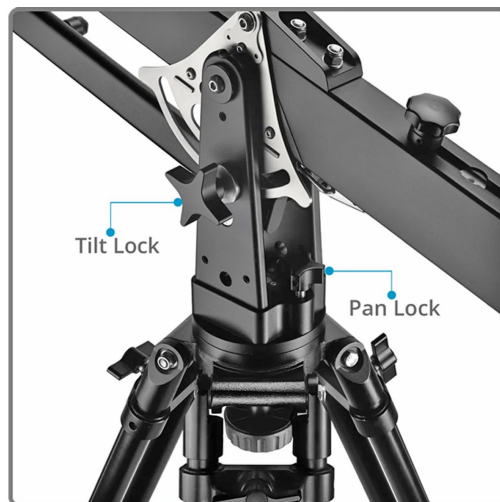
INDEX

Sr. No	Particulars	Page No.
1	Dimensions	3
2	Features	4
3	Wave Fold Camera Jib Crane Setup	5
4	Wave Fold Camera Jib Assembly	5
5	Mounting the Jib Crane on a 100mm Bowl Stand	5-6
6	100mm Bowl Mounting	6
7	Bowl Mounting (UnderSlung Configuration)	6
8	Bowl Mounting (OverSlung Configuration)	7
9	Fluid Head Mounting	7
10	Camera Mounting	7-8
11	Adjusting the Telescopic Front and Rear Sections	8
12	Extending the Front Section of the Jib	9
13	Extending the Rear Section of the Jib	9
14	Smooth Panning And Tilting Movements	10
15	Pan Movements	10
16	Tilt Movements	10
17	Final Setup	12

Dimensions:



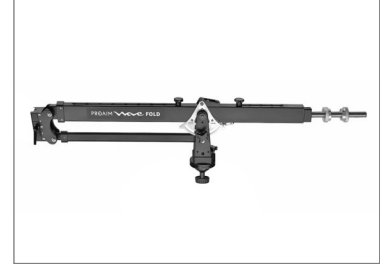
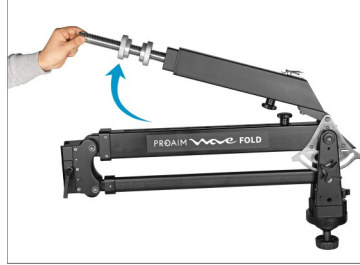
Features:



Wave Fold Camera Jib Crane Setup

Wave Fold Camera Jib Assembly

- Start by unfolding the jib arm to open your Wave Fold Camera Jib.



- Next, secure the lever at the centre by pushing or pulling it into place until it locks firmly, as shown in the image.



Mounting the Jib Crane on a 100mm Bowl Stand

- Unscrew and remove the heavy-duty knob from the bottom of the Wave Fold Camera Jib.



- Next, place the Wave Fold Camera Jib onto the 100mm bowl stand (**Not Included**).



- After positioning the jib on the stand, re-insert the heavy-duty knob at the bottom of the stand and securely tighten it.



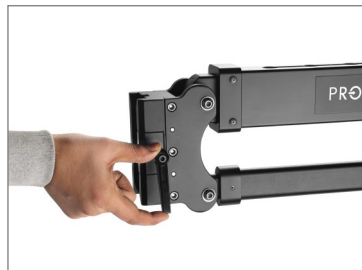
- The Camera Jib is now securely mounted on the Stand.



100mm Bowl Mounting:

Bowl Mounting (UnderSlung Configuration)

- Loosen the ratchet knob located at the front of the camera jib.
- Slide the 100mm bowl onto the mounting area from the bottom side.



- Once the bowl mount is in place, re-tighten the ratchet knob to secure it.
- The 100mm bowl is properly mounted.



Bowl Mounting (OverSlung Configuration)

- Loosen the ratchet knob located at the front of the camera jib.
- Then, slide the 100mm bowl mount into the designated slot.



- Once the bowl mount is properly positioned, tighten the ratchet knob to lock it securely in place.
- The 100mm bowl is now properly mounted.



Wide Compatibility

100mm Camera & Tripod Mounting



Fluid Head Mounting

- Mount the fluid head (**Not Included**) onto the 100mm bowl.
- Insert the fluid head's heavy-duty knob (**Not Included**) from the bottom to secure it.



- The fluid head is properly mounted on the 100mm bowl.



Camera Mounting

- Attach the camera (**Not Included**) to the fluid head by sliding it onto the dovetail plate (**Not Included**) and securely locking it in place

Feature: The dovetail mechanism allows you to switch between underslung and over slung configuration and dynamic shot composition.



- Your setup is now ready to use.



Quick Dovetail Mechanism

Switch b/w Underslung & Overslung



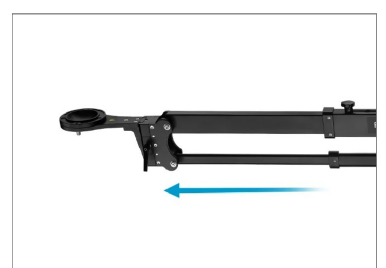
Adjusting the Telescopic Front and Rear Sections:

Extending the Front Section of the Jib

- Loosen the flower knob on the upper side and the ratchet knob on the lower side of the front section of the jib.



- Extend the front section of the jib to the required length.

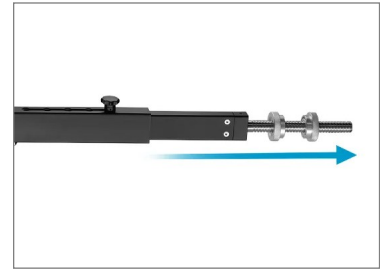
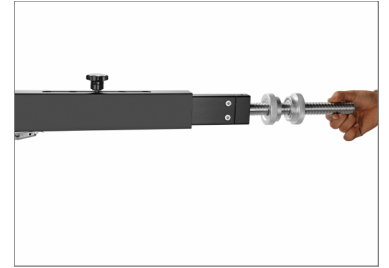


- Once the jib is at the desired length re-tighten the ratchet knob and the flower knob in the slot to secure it.



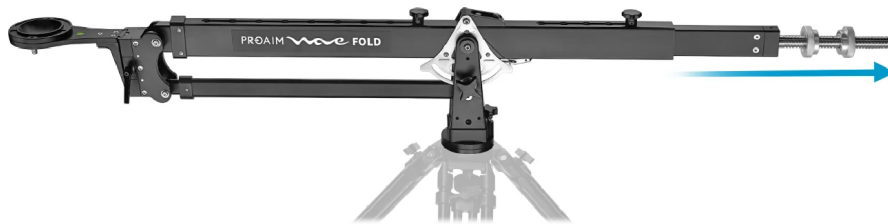
Extending the Rear Section of the Jib

- Loosen the flower knob on the rear side of the jib and adjust the rear section's length to your desired setting.
- Once extended, re-tighten the flower knob in the slot to secure it.



Telescopic Front & Rear Pivot Adjustments

Extends from 5'3" to 7'2"



Smooth Panning and Tilting Movements:

Pan Movements

- Loosen the pan locking knob on the central fork, as shown in the image.

Feature: The Central Fork Mechanism:

The central fork mechanism ensures ultra-smooth, vibration-free pan-tilt movements, allowing for steady and professional shots.

- Pan the camera jib to your desired position.
- Then, tighten the knob to securely lock the position in place.



Tilt Movements

- Loosen the tilt locking knob on the central fork, as shown in the image.

Feature: Integrated Lock System :

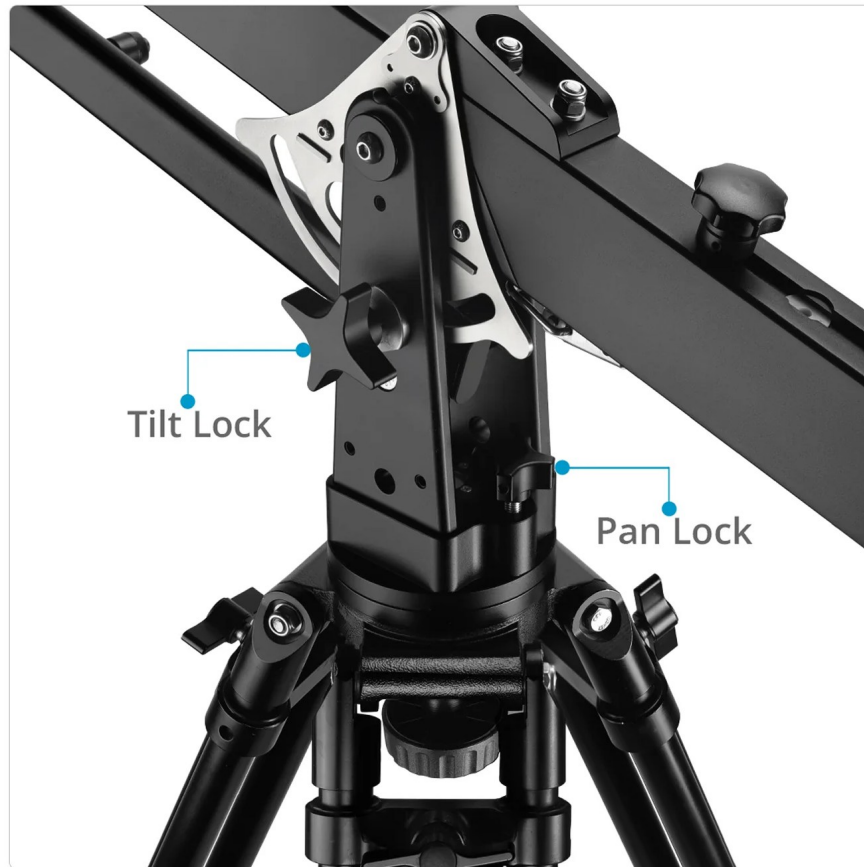
The integrated lock system offers precise control over horizontal and vertical angles, enabling seamless, repeatable shots and dynamic camera placements with ease.

- Tilt the camera Jib to your desired position.
- Then, tighten the knob to securely lock the position in place.



Precise Control Over Camera Movements

Pan & Tilt Locks



**YOUR PROAIM 7.2FT WAVE FOLD VIDEO CAMERA JIB CRANE
ALL DRESSED UP AND READY TO GO!**



(SHOWN WITH OPTIONAL ACCESSORIES)

Warranty: We offer one year warranty for our products from date of purchase. Within this period of time, we will repair it without charge for labor or parts. Warranty doesn't cover transportation costs nor does it cover a product subjected to misuse or accidental damage. Warranty repairs are subjected to inspection and evaluation by us.

Liability: We are not liable for damage caused by products that we do not supply or from mishandling in transit, accident, misuse, neglect, lack of care of the product, or service by anyone other than our company.

Contact Us: In case of any kind of dissatisfaction, please Contact us immediately and we promise our utmost support and care until you use our product.