

PROAIM

Utility Tray with Arm & Clamp (P-UTRA-01)



All rights reserved.

No part of this document may be reproduced, stored in a retrieval system, or transmitted by any form or by any means, electronic, mechanical, photo-copying, recording, or otherwise, except as may be expressly permitted by the applicable copyright statutes or in writing by the Publisher.

■ What's In The Box

Please inspect the contents of your shipped package to ensure you have received everything that is listed below.



Utility Tray with C stand adapter



Tray Mat



Universal Super Clamp



Casting Side Arm



Baby Pin

Utility Tray Setup

Universal Super Clamp Mounting on Stand

- Loosen the ratchet knob of the universal Super Clamp and open it.
- Remove the rubber bush from the clamp.



- Now attach the clamp to the stand **(Not Included)** and tighten the ratchet knob to secure it.
- Super Clamp is now securely attached to the stand.

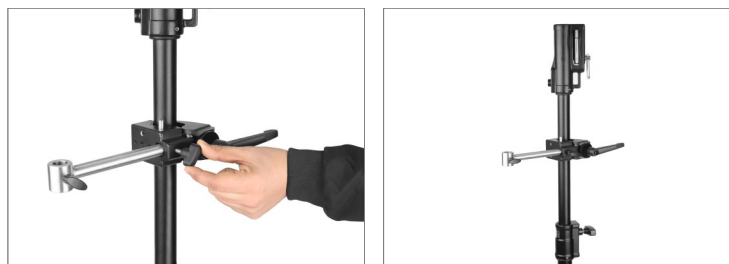


Casting Side Arm Mounting

- Loosen the knob of the universal Super Clamp.
- Press the pin & insert the Side arm into the clamp, aligning the holes to secure it properly.

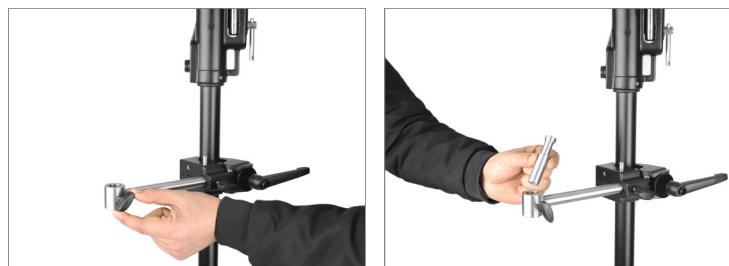


- Once the side arm is inserted, re-tighten the knob.



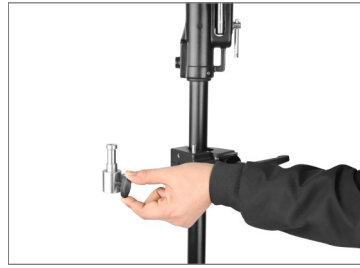
Baby Pin Mounting

- Loosen the knob on the casting side arm.
- Then insert the baby pin into the receiver.



- After inserting the baby pin, re-tighten the knob.

Feature: The tray includes a 5/8" (16mm) receiver and 1/4" & 3/8" female threads, allowing it to be mounted onto light stands, C-stands, and tripods.



Utility Tray Mounting

- Loosen the knob of the adapter and mount it onto the baby pin.



- After mounting the tray, re-tighten the knob.
- Then place the mat onto the tray.



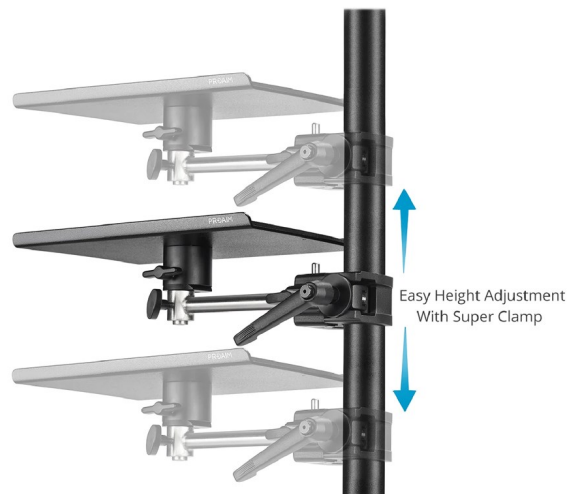
- Your setup is now ready to use.

NOTE: You can adjust the height of tray as per your requirement.



Flexible Installation

Tool-less Mounting & Easy Height Adjustment



- You can also mount the utility tray on a flat surface.

NOTE: : Reinsert the bush into the clamp to mount it on a flat surface.



Utility Tray Mounting on C-stand

- Loosen the knob of the adapter and mount it onto the C-stand (**Not Included**).
- Once mounted, re-tighten the knob securely.



Easily Attach to Any C-stand with C-Stand Adapter



**YOUR PROAIM UTILITY TRAY WITH ARM & CLAMP
ALL DRESSED UP AND READY TO GO!**



(SHOWN WITH OPTIONAL ACCESSORIES)

Warranty: We offer one year warranty for our products from date of purchase. Within this period of time, we will repair it without charge for labor or parts. Warranty doesn't cover transportation costs nor does it cover a product subjected to misuse or accidental damage. Warranty repairs are subjected to inspection and evaluation by us.

Liability: We are not liable for damage caused by products that we do not supply or from mishandling in transit, accident, misuse, neglect, lack of care of the product, or service by anyone other than our company.

Contact Us: In case of any kind of dissatisfaction, please contact us immediately and we promise our utmost support and care until you use our product.