

PR◀AIM 44" Camera Slider Stand with Junior Pin (P-SLSD-01)

Assembly Manual



■ What's In The Box

Please inspect the contents of your shipped package to ensure you have received everything listed below.



44" Camera Slider Stand

All rights reserved.

No part of this document may be reproduced, stored in a retrieval system, or transmitted by any form or by any means, electronic, mechanical, photo-copying, recording, or otherwise, except as may be expressly permitted by the applicable copyright statutes or in writing by the Publisher.

Features of Camera Slider Stand

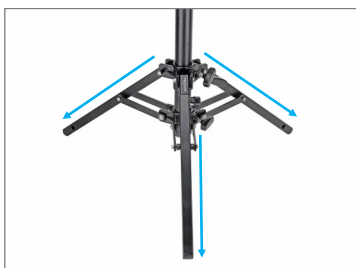


Slider Stand Setup

- Loosen the knob of the Slider Stand and spread its legs.



- Adjust the legs per your requirement and re-tighten its knob.



Feature: This stand offers smooth and effortless movement across the set, allowing you to position your gear with ease and efficiency.



Height Adjustment

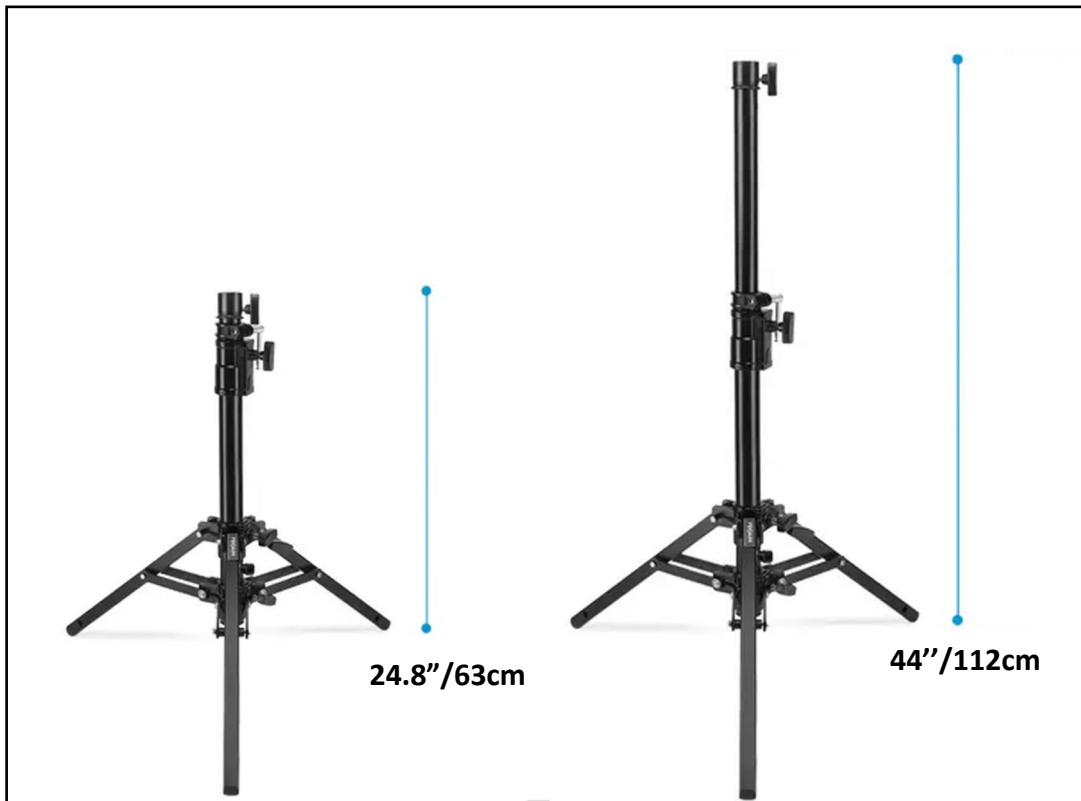
- Loosen the knob near the receiver to adjust the height of the Stand.
- Once the Stand is at the desired height, re-tighten the knob to secure it in place.



NOTE: The minimum height of the Slider Stand is 24.8"/63cm and the maximum height is 44"/112cm.



Adjustable Height



Quick Memory Collar Adjustment

- Lift the Quick Memory collar lever upwards to loosen the collar.
- Then, adjust the position of the Quick Memory collar.
- Once the Quick Memory collar is at the desired position, move the Quick memory collar lever downwards to secure it.



Instantly Replicate Previous Heights via Quick Memory Collar



Leveling Leg For Uneven Surface

- Loosen the locking knob of the leveling leg and extend the levelling leg per your requirement.

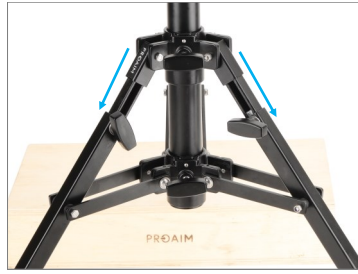


- After balancing the Levelling Leg, re-tighten the locking knob.



- Follow the same process to extend the second levelling leg.

Feature: The stand has two levelling legs with easy-to-use knobs for seamless extension, ensuring stability on any surface.



■ Breeza Dolly Track Setup

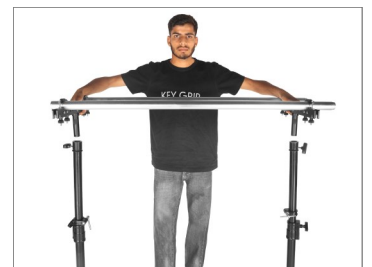
- Remove the knobs from both the end spacers **(Not Included)**.



- Now, loosen the knobs of both the Slider stands.



- Mount the Track **(Not Included)** on the Slider Stand.



- Re-insert both the knobs into the end spacers and re-tighten them securely.



Breeza Dolly Mounting

- Place the Breeza Dolly (Not Included) on the track.



- Now securely mount the Camera (Not Included) on the Breeza Dolly.

Feature: Proaim Slider Stand, designed to provide remarkable support for heavy-duty slider dollies mounts with cameras of almost any size.



VEGA Jib Mounting Setup

- Loosen the knob of the Slider Stand.
- Carefully mount the Vega Jib on the Slider Stand.
- After mounting the Jib re-tighten the knob to secure it.



Feature: Equipped with a junior pin mounting of 28.5mm (1-1/8"), including Proaim Vega Jib, Polaris, and Breeza Dolly, using their track ends, offering you unparalleled flexibility in your setup.



YOUR PROAIM CAMERA SLIDER STAND WITH JUNIOR PIN ALL DRESSED UP AND READY TO GO!



(SHOWN WITH OPTIONAL ACCESSORIES)

Warranty: We offer one-year warranty for our products from the date of purchase. Within this period, we will repair it without charge for labor or parts. The warranty doesn't cover transportation costs, nor does it cover a product subjected to misuse or accidental damage. Warranty repairs are subject to inspection and evaluation by us.

Liability: We are not liable for damage caused by products we do not supply or from mishandling in transit, accident, misuse, neglect, or lack of care of the product or service by anyone other than our company.

Contact Us: If you are dissatisfied, please contact us immediately. We promise our utmost support and care until you use our product.