

PROAIM

Polaris Portable Video/Film Camera Dolly with 8ft Track (DL-PLRS-4P)



All rights reserved.

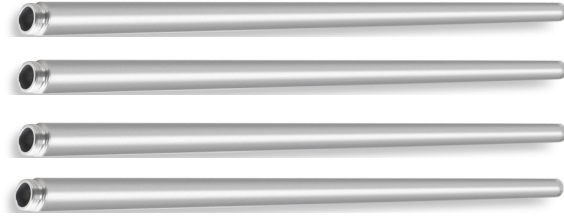
No part of this document may be reproduced, stored in a retrieval system, or transmitted by any form or by any means, electronic, mechanical, photo-copying, recording, or otherwise, except as may be expressly permitted by the applicable copyright statutes or in writing by the Publisher.

What's In The Box

Please inspect the contents of your shipped package to ensure you have received everything that is listed below.



Polaris Dolly with 16 Wheels
75mm Bowl Adapter



4 x Track Aluminum Pipes



Anti-Tilt Safety Break



2 x Universal Track Ends



Centre Support



5mm Allen Key



4 x Foot



100mm Bowl Adapter

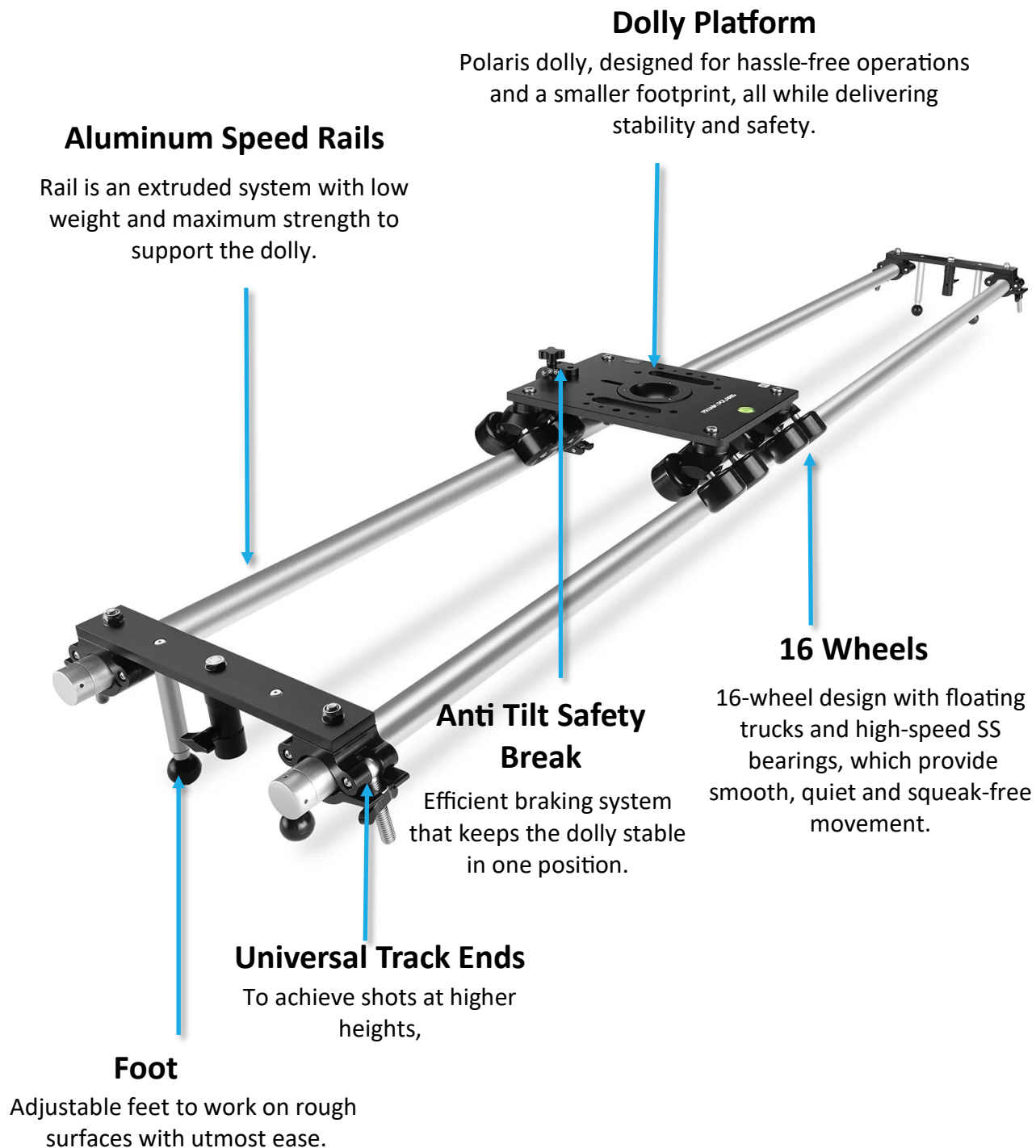


Flight Case



Bag

■ Functions



INDEX

Sr. No	Particulars	Page No.
1	Centre Support Assembly	5-6
2	Safety Break Assembly	6
3	Bowl Adapters Setup	6-7
4	100mm Fluid Head Assembly	7-8
5	Versatile Mounting Option	8
6	Final Setup	9

Centre Support Assembly

- Insert the foot in the provided holes of the Universal Track Ends.



- Insert and tighten the remaining three feet in the Track Ends, as shown in the image.



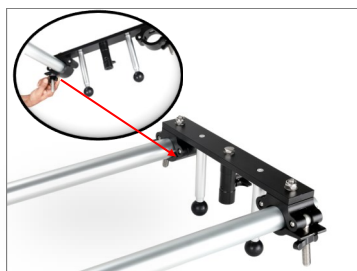
- To form an 8ft track aluminium rail, attach two 4ft rails.



- To open the clamp of the Track Ends, loosen its knob per your requirement.
- Now, insert a track rail into the clamp, as shown in the image.



- After properly inserting the track rail into the clamp, secure it by tightening the knob.



- To mount the universal track end on a C-Stand loosen the knob.

Note: To achieve shots at higher heights, one can mount the track end on C-Stands.



- After mounting the track ends onto the C-Stand (Not Included), tighten the provided knob to secure the setup.



- Loosen the knob of the Centre support bar and attach the bar below the track rail system using a support Stand.

Note: An 8ft track assembling has been used for assembly here. So, for a longer track, a center support needs to be placed in the middle of the track.



- Place the Polaris dolly with a 75mm bowl adapter onto the track.

Note: The handles of the dolly platform should be inside the track, as shown in the image. Furthermore, the dolly's wheels should be properly aligned on the track for smooth dolly movement. .



Safety Break Assembly

- Loosen the knob to open the safety brake.
- Mount the Safety Brake on the side of the portable dolly platform.
- Adjust the position of the bracket to prevent the platform from tilting.



- Properly secure with a knob after mounting the safety brake as shown in the image.

Feature: It is equipped with an efficient braking system that keeps the dolly steady in one position.

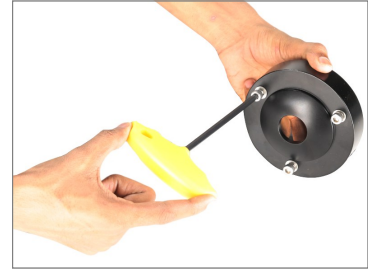


Bowl Adapters Setup

- The Dolly has an attached Mitchell mount and a 75mm bowl adapter.
- To remove the attached Mitchell mount and 75mm bowl adapter, use the 5mm Allen key to remove the bolts.



- The image shows the removed 75mm bowl adapter.
- To attach the 100mm bowl adapter, loosen all three attached bolts using the Allen key.



- After loosening the bolts, remove them, as shown in the image.



- Mount the 100mm bowl adapter on the dolly platform.

Note: The Dolly offers multiple mounting options, such as a Mitchell mount, 75mm and 100mm bowl adapters, an optional 150mm Mitchell bowl mount, and a cheese plate.



- After mounting the bowl adapter, insert three bolts under the Dolly and secure them by tightening them using the Allen key.



100mm Fluid Head Assembly

- Loosen the locking knob of the 100mm Fluid Head (Not Included) and insert it into the bowl adapter through the screw.



- After mounting the fluid head (Not Included) on the bowl, secure it by inserting the locking knob from the bottom side of the Dolly.



- After properly securing the Fluid Head (**Not Included**) through the locking knob, push the red ratchet knob to remove the fluid head's camera plate.



- After removing the camera plate, attach it to the bottom of the camera (**Not Included**) and tighten the bolts using the Allen key.
- Mount the camera (**Not Included**) onto the Fluid Head (**Not Included**).



- The camera (**Not Included**) has now been mounted on the Fluid Head (**Not Included**) and fully secured with the help of the ratchet knob.

Feature: It allows you to mount your camera directly on the Dolly at floor level, & on a tripod, giving your setup flexibility.



Versatile Mounting Option

Versatile Dolly offers multiple mounting options, such as a Mitchell mount, 75mm and 100mm bowl adapters and an optional 150mm Mitchell bowl mount, and a cheese plate.



**YOUR PROAIM POLARIS PORTABLE CAMERA DOLLY WITH 8FT TRACK
ALL DRESSED UP AND READY TO GO!**



(SHOWN WITH OPTIONAL ACCESSORIES)

Warranty: We offer one year warranty for our products from date of purchase. Within this period of time, we will repair it without charge for labor or parts. Warranty doesn't cover transportation costs nor does it cover a product subjected to misuse or accidental damage. Warranty repairs are subjected to inspection and evaluation by us.

Liability: We are not liable for damage caused by products that we do not supply or from mishandling in transit, accident, misuse, neglect, lack of care of the product, or service by anyone other than our company.

Contact Us: In case of any kind of dissatisfaction, please contact us immediately and we promise our utmost support and care until you use our product.