

Assembly Manual



■ What's In The Box

Please inspect the contents of your shipped package to ensure you have received everything that is listed below.



Mitchell Mounting Plate
(with 4 Screws Included)



1 x L-Type Allen Key
(Size:6mm)

All rights reserved.

No part of this document may be reproduced, stored in a retrieval system, or transmitted by any form or by any means, electronic, mechanical, photo-copying, recording, or otherwise, except as may be expressly permitted by the applicable copyright statutes or in writing by the Publisher.

Mitchell Mounting Plate Setup

Mitchell Mounting Plate Assembly

- Remove all screws from the Mitchell mounting plate using a 6mm Allen key.



- Remove the Castle ring from the SJ30 Scissor Crane (**Not included**).



- Attach the Mitchell Mounting Plate to the SJ30 Scissor Crane.



- Reattach the Castle ring to the SJ30 Scissor Crane.



Mount SJ30 Scissor Crane on Ridgeline Dolly

- Mount the SJ30 Scissor Crane onto the Ridgeline Dolly (**Not included**).



- Insert all screws, aligning them with their holes.

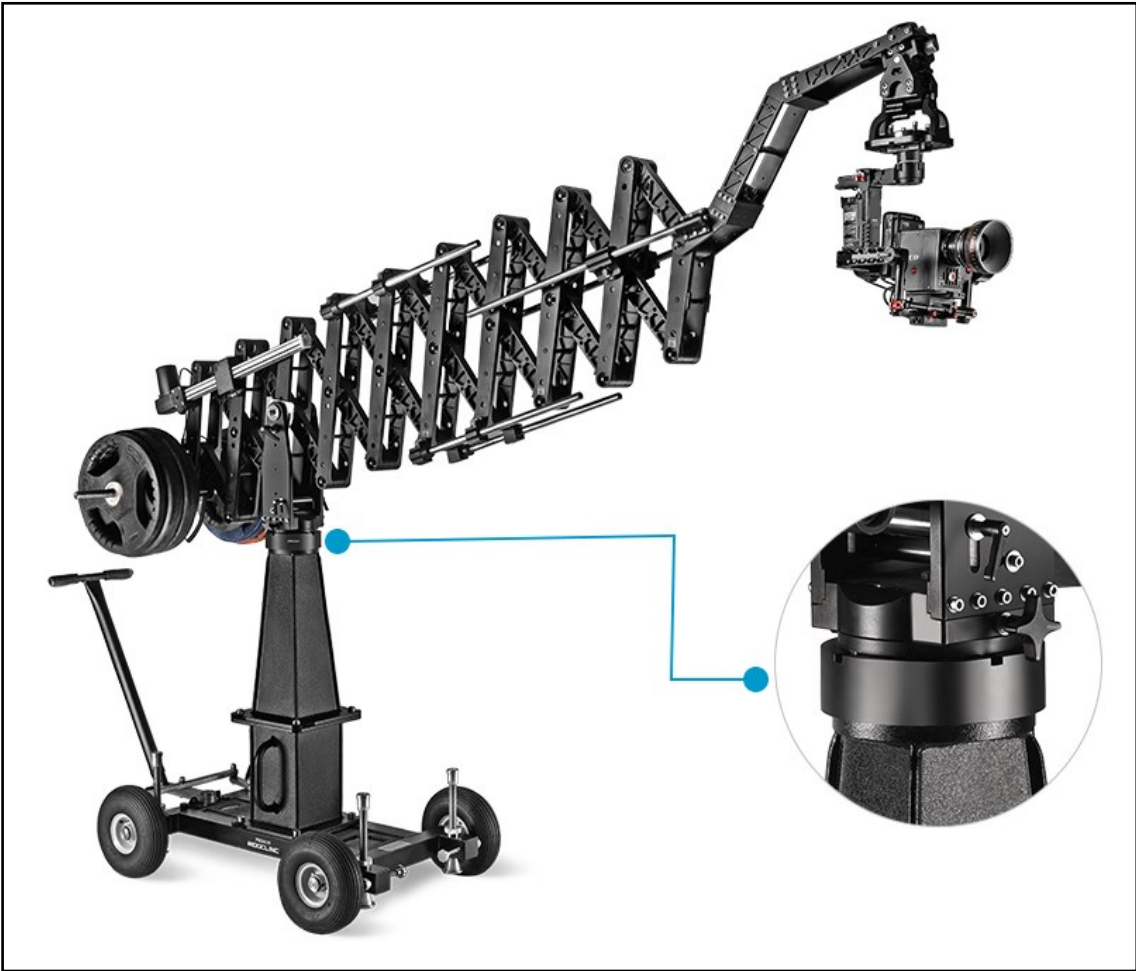


- Tighten all the screws using a 6mm Allen key to ensure they are securely fastened.

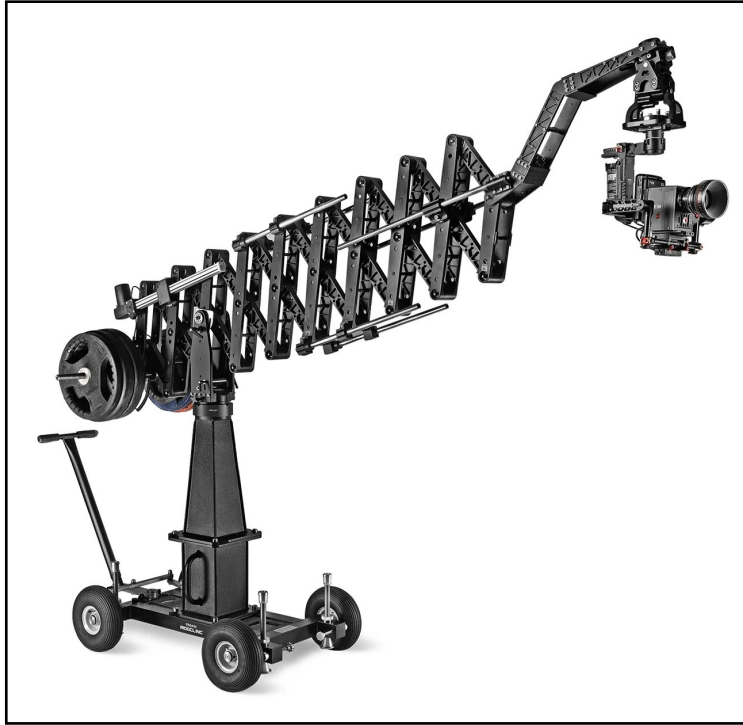
Feature: This plate features four screw holes and comes with included screws for a secure attachment.



- The SJ30 Scissor Crane is now securely mounted on the Ridgeline Dolly, ensuring a stable and functional setup for optimal use.



**YOUR PROAIM MITCHELL MOUNTING PLATE
ALL DRESSED UP AND READY TO GO!**



(SHOWN WITH OPTIONAL ACCESSORIES)

Warranty: We offer one year warranty for our products from date of purchase. Within this period of time, we will repair it without charge for labor or parts. Warranty doesn't cover transportation costs nor does it cover a product subjected to misuse or accidental damage. Warranty repairs are subjected to inspection and evaluation by us.

Liability: We are not liable for damage caused by products that we do not supply or from mishandling in transit, accident, misuse, neglect, lack of care of the product, or service by anyone other than our company.

Contact Us: In case of any kind of dissatisfaction, please Contact us immediately and we promise our utmost support and care until you use our product.