

PR[→]AIM 6.8' Low Ninja Double Riser Combo Stand (TP-LNJB-02)

Assembly Manual



What's In The Box

Please inspect the contents of your shipped package to ensure you have received everything listed below.



Low Ninja Double Riser Combo Stand

All rights reserved.

No part of this document may be reproduced, stored in a retrieval system, or transmitted by any form or by any means, electronic, mechanical, photo-copying, recording, or otherwise, except as may be expressly permitted by the applicable copyright statutes or in writing by the Publisher.

Features of Double Riser Camera Slider Stand



Double Riser Combo Stand Setup

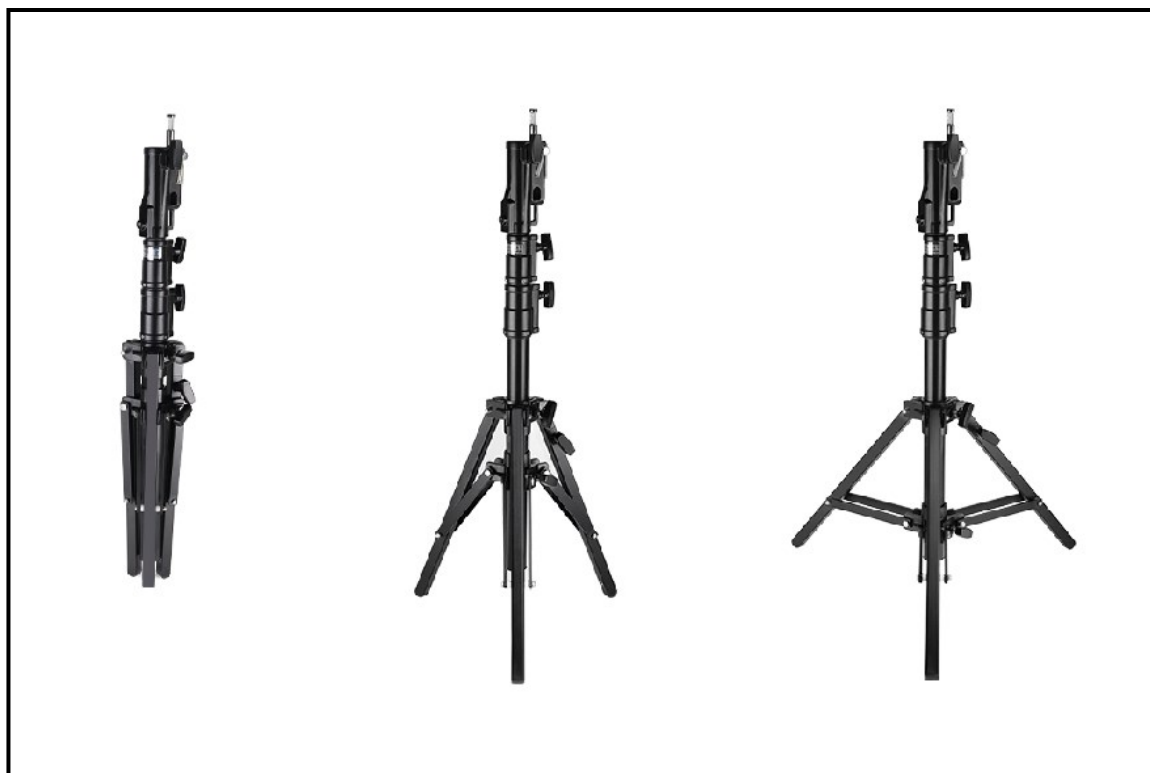
- Loosen the top and bottom knobs of the double riser stand.



- Spread the legs and adjust them to your preferred position.



- After spreading the legs, re-tighten the knobs.



Height Adjustment

- Loosen the height adjustment knob to raise or lower the stand to your desired height.
- Once set, re-tighten the knob to lock it in place.

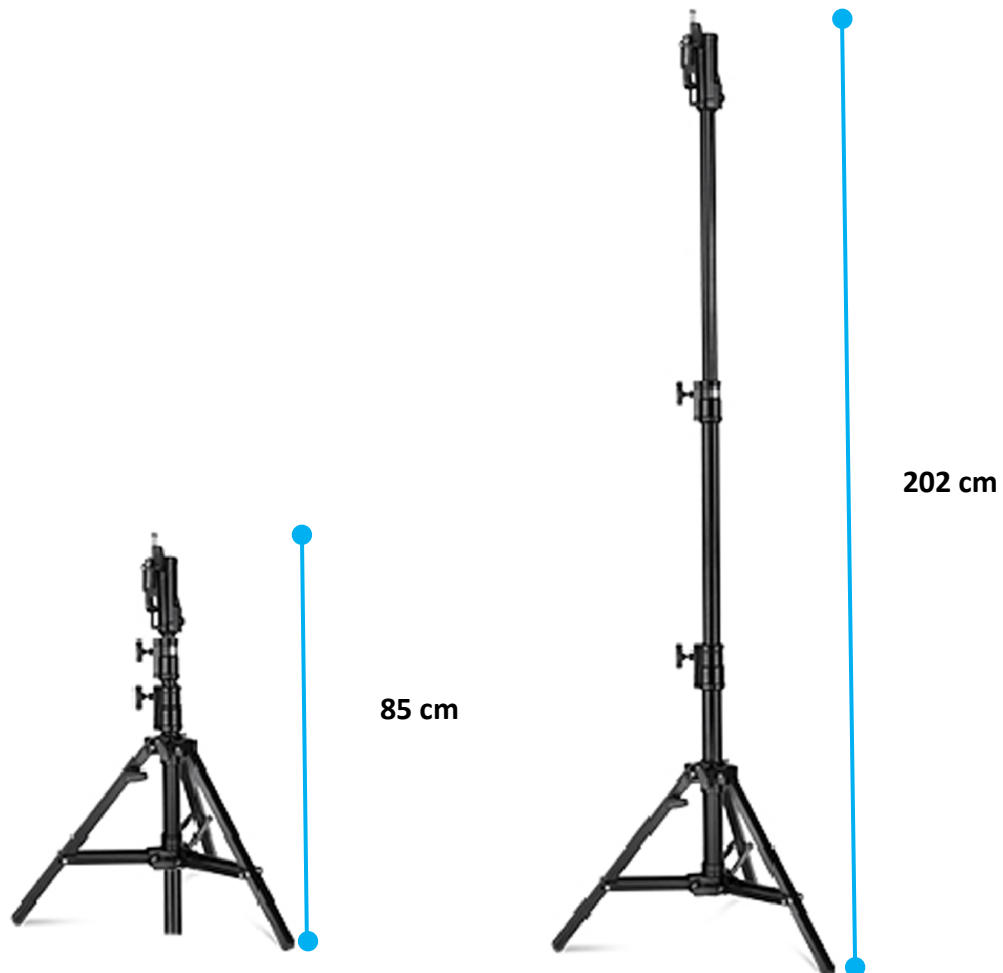


- Loosen the knob near the receiver to adjust the stand's height.
- Once the stand reaches the desired height, re-tighten the knob to lock it in place.



Easy Height Adjustments

3 Sections, 2 Risers



Leveling Leg For Uneven Surface

- Loosen the locking knob of the leveling leg and extend it to the desired length.



- Once the leveling leg is balanced, re-tighten the locking knob to secure it.

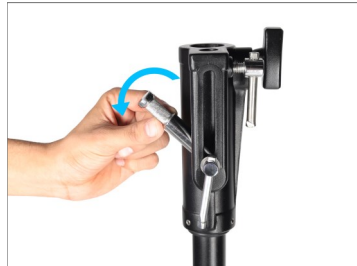


Stand Steady & Stable Rocky Mountain Leveling Leg



Baby Pin Adjustment

- Lift the Quick Memory collar lever upwards and rotate it to loosen the collar.
- Then, adjust the position of the Baby Pin horizontally and vertically as needed.
- Once in position, lower the Quick Memory collar lever to lock it securely.



Dual Mounting Versatility

1-1/8" Junior Receiver & 5/8" Baby Pin



Light Mounting

- Loosen the light's knob (not included) and securely attach the light to the stand.



- Once the light (not included) is mounted, tighten the knob securely.



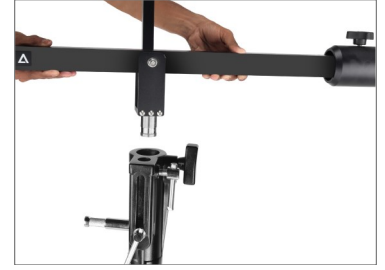
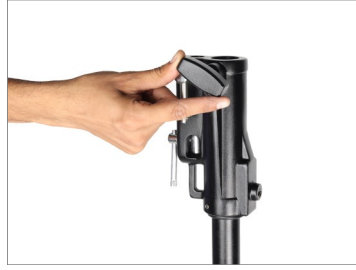
Flexible Positioning

Use Baby Pin Horizontally or Vertically



VEGA Jib Mounting

- Loosen the knob of the Double Riser Combo Stand, then carefully mount the Vega Jib (not included) onto the slider stand.



- After mounting the Jib, re-tighten the knob to secure it.



**YOUR PROAIM 6.8' LOW NINJA DOUBLE RISER COMBO STAND
ALL DRESSED UP AND READY TO GO!**



(SHOWN WITH OPTIONAL ACCESSORIES)

Warranty: We offer one-year warranty for our products from the date of purchase. Within this period, we will repair it without charge for labor or parts. The warranty doesn't cover transportation costs, nor does it cover a product subjected to misuse or accidental damage. Warranty repairs are subject to inspection and evaluation by us.

Liability: We are not liable for damage caused by products we do not supply or from mishandling in transit, accident, misuse, neglect, or lack of care of the product or service by anyone other than our company.

Contact Us: If you are dissatisfied, please contact us immediately. We promise our utmost support and care until you use our product.