

Comet 12ft Euro/Elemac Mount Camera Jib Crane Package (JB-COMT)

Assembly Manual



What's In The Box

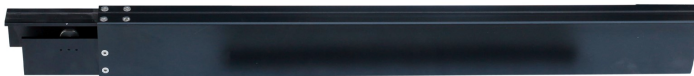
Please inspect the contents of your shipped package to ensure you have received everything that is listed below.

NOTE: If you have purchased (JB-COMT-01) kit, you will receive the following:

The Jib Fork design may vary based on availability.



Proaim 7ft Comet Jib



1 x 3ft Extension Arm



2 x Counterweight Rods



1 x 3ft Extension Rod

All rights reserved.

No part of this document may be reproduced, stored in a retrieval system, or transmitted by any form or by any means, electronic, mechanical, photo-copying, recording, or otherwise, except as may be expressly permitted by the applicable copyright statutes or in writing by the Publisher.

NOTE: If you have purchased (JB-COMT-02) kit, you will also receive the following:



4 x Wheels



Ridgeline Dolly



4 x Footers



Crank



Centre Column



L-Type Allen key
(4mm, 5/16")



T-Type Allen key
(Size: 5mm)



Handle

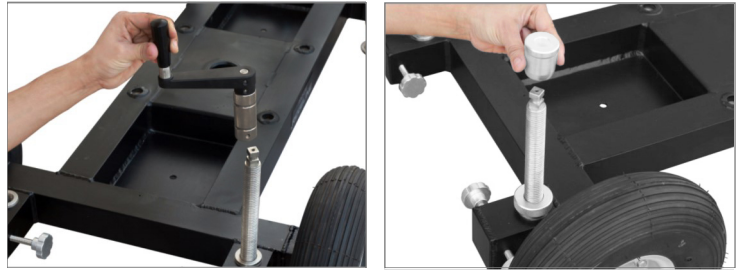
Ridgeline Dolly Setup

NOTE: To avoid unwanted accident while assembling the crane, please assemble the dolly with supporting feet. It also increases the stability.

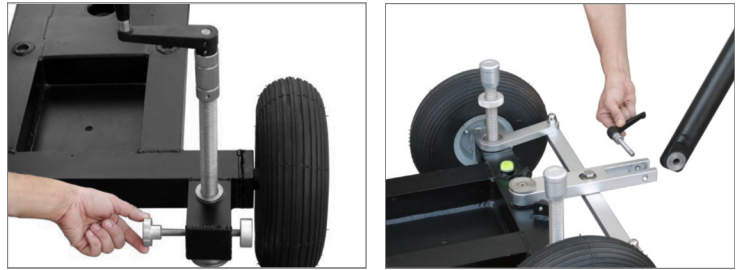
- Insert Levelling Support Feet on all 4 corners of Ridgeline Dolly. Secure them with a ring.



- Insert Lever onto Levelling Support to adjust the length of feet from ground. Then lock the Support with knob.



- Apply the Front Wheel Brakes while assembling to ensure double security. Insert Steering Push/Pull Bar into Dolly's Rear-axle.



- Fix screw into the Steering and lock from both sides to secure Steering accurately.



■ Attaching the Centre Column Setup

- Place lower section of Centre Column onto the Dolly. Twist the Column to align all its corners with screws. Tighten them back to secure it.



- Place Centre Column onto the centre of dolly. Insert & tighten screws on all corners to secure the Column.



Jib Crane Setup

- Place Comet Jib onto the Euro-adapter of Centre Column.



- Fix the Jib fork with Centre Column by locking the knob via locking lever.



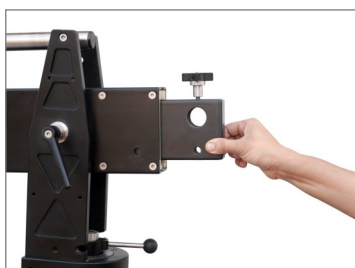
- Lock both the pan knob to assemble the jib crane.



- Loosen knob on top located on the back (operator) side of jib. Then take out the side knob.



- Pull out the Telescopic Section from back (operator) side of jib. Insert the side knob again to lock it.



- Pull out the Telescopic Section from back (operator) side of jib. Insert the side knob again to lock it.

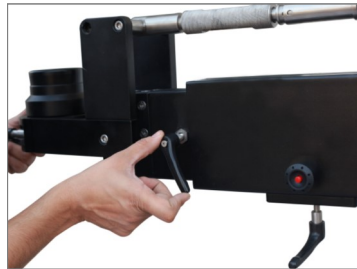


- Insert Counterweight Rod through the holes and lock the knob on top. Then add weights (Not Included) to both the Rods as per the requirement and secure them with Locking Pin.



- Loosen the knob on Adjustment Counterweight and slide it to ensure right balance of jib, as shown in image.

- Loosen side knob on the front (camera) side of jib and the red button knob on Rod, to remove the camera mounting section.



- Now loosen bottom knob on the front (camera) side of jib and press the small red button on side to release (pull-out) the Telescopic Section.



- Then press the latter small red button on steel Rod to release (pull-out) the Telescopic Section of Rod.



- Attach 3ft Extension Arm with Telescopic Section and lock the knob appropriately to secure it.



- Then attach Extension Rod of 3ft with Telescopic Section of Rod and lock with the red button knob appropriately to secure it.



- Now insert camera mounting section into the Extension Arm and Rod.



- Tighten side knob of jib and red button knob on Rod to lock the mounting section accurately.

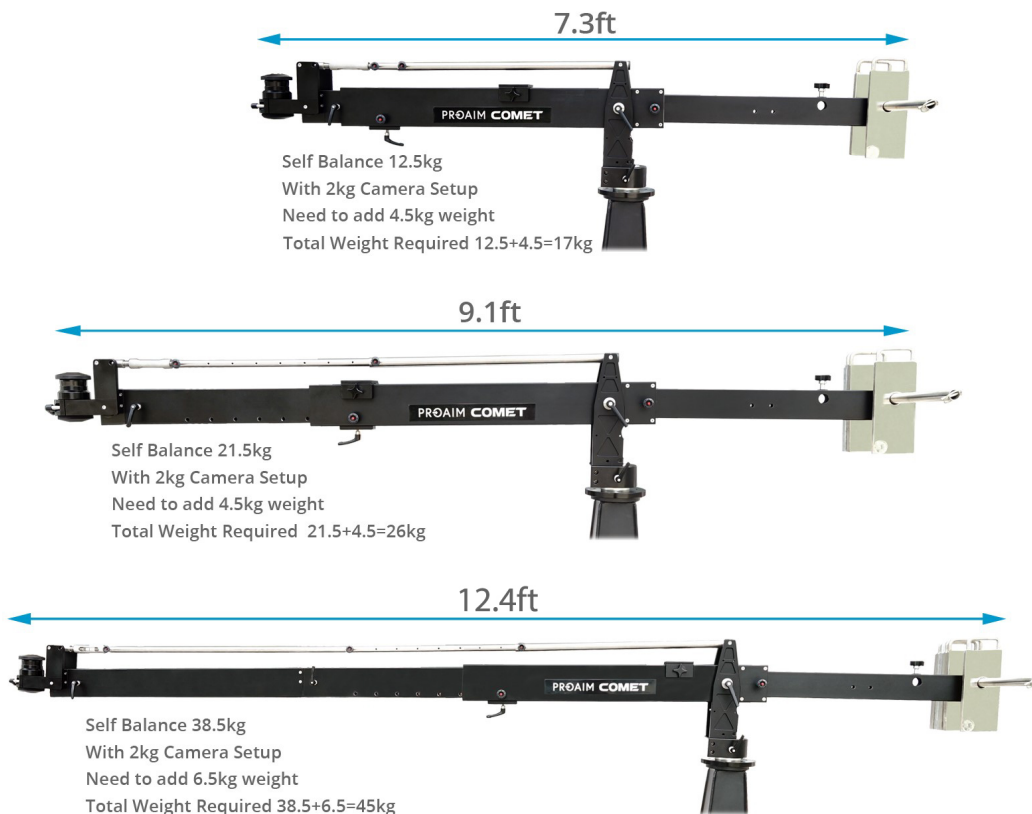


NOTE: You can precisely balance the platform with its unique Levelling Mechanism on Rod.

- Finally, mount your camera setup as desired, on Double Euro Adapter provided with the mounting section of jib.



Balancing Tips Setup



- **7.3ft Jib Length**— When jib length is 7.3ft Jib will be balance with 12.5kg weight, with every 2kg of camera setup you need to add 4.5kg weight to balance it. Now total weight $12.5 + 4.5\text{kg}= 17\text{kg}$.
- **9.1ft Jib Length**— When jib length is 9.1ft Jib will be balance with 21.5kg weight, with every 2kg of camera setup you need to add 4.5kg weight to balance it. Now total weight $21.5 + 4.5\text{kg}= 26\text{kg}$.
- **12.4ft Jib Length**— When jib length is 12.4ft Jib will be balance with 38.5kg weight, with every 2kg of camera setup you need to add 6.5kg weight to balance it. Now total weight $38.5 + 6.5\text{kg}= 45\text{kg}$.

NOTE: Use Micro balance for Precision balancing.

**YOUR PROAIM COMET 12ft EURO/ELEMAC MOUNT CAMERA JIB CRANE PACKAGE
ALL DRESSED UP AND READY TO GO!**



(SHOWN WITH OPTIONAL ACCESSORIES)

Warranty: We offer one year warranty for our products from date of purchase. Within this period of time, we will repair it without charge for labor or parts. Warranty doesn't cover transportation costs nor does it cover a product subjected to misuse or accidental damage. Warranty repairs are subjected to inspection and evaluation by us.

Liability: We are not liable for damage caused by products that we do not supply or from mishandling in transit, accident, misuse, neglect, lack of care of the product, or service by anyone other than our company.

Contact Us: In case of any kind of dissatisfaction, please Contact us immediately and we promise our utmost support and care until you use our product.