

PROAIM 6.7ft Low Ninja Power Stand (TP-LNJB-04)

Assembly Manual



■ What's In The Box

Please inspect the contents of your shipped package to ensure you have received everything listed below.

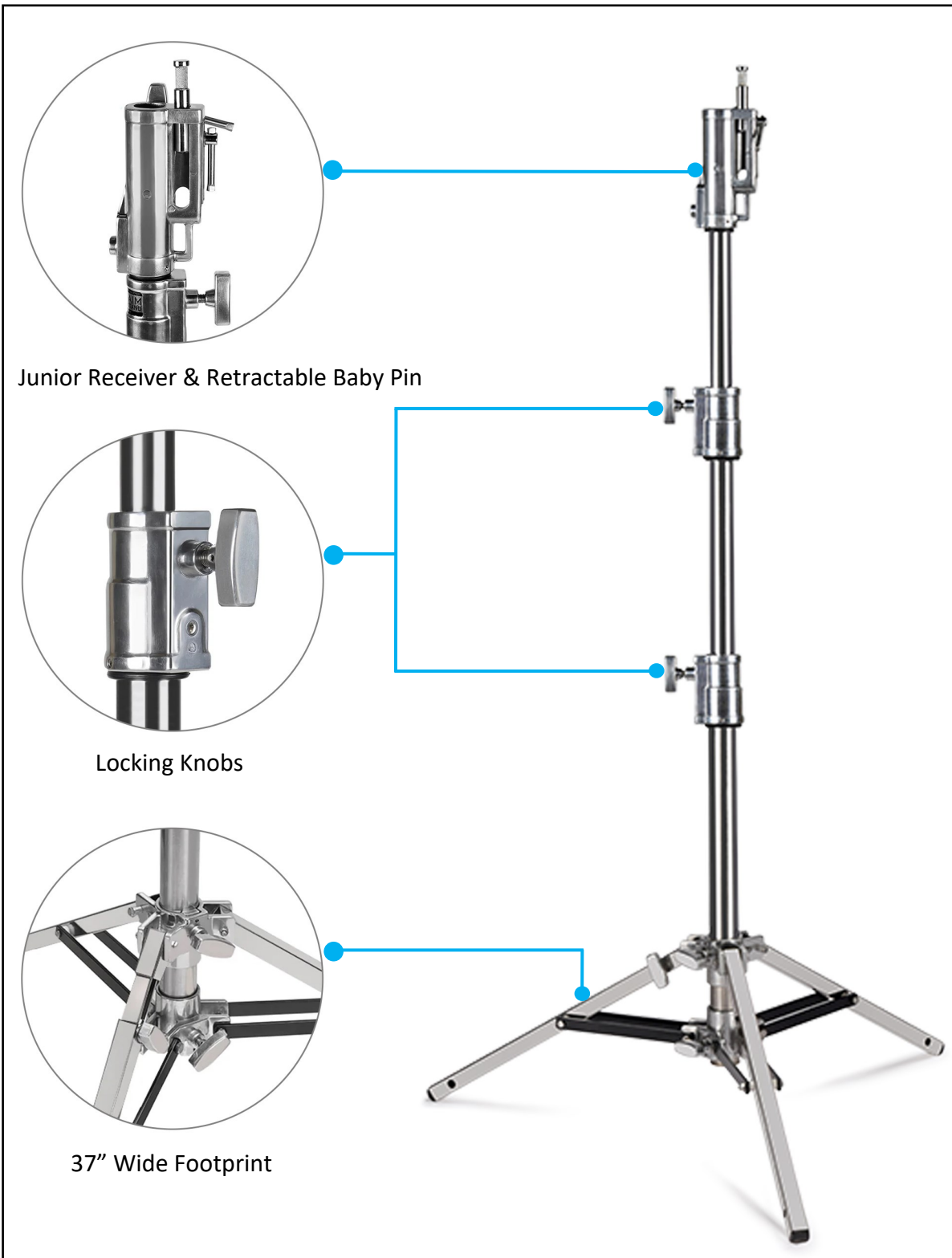


Low Ninja Power Stand

All rights reserved.

No part of this document may be reproduced, stored in a retrieval system, or transmitted by any form or by any means, electronic, mechanical, photo-copying, recording, or otherwise, except as may be expressly permitted by the applicable copyright statutes or in writing by the Publisher.

Features of Low Ninja Power Stand



Low Ninja Power Stand Setup

- Loosen the knob of the Low Ninja Power stand.



- Stretch out the legs and re-tighten the knob to lock the legs position.

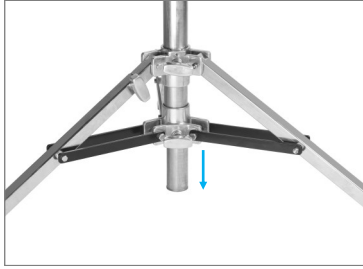


Height Adjustment

- Loosen both (Top/ Bottom) knobs of the Stand.



- Once the knobs are loose, adjust the height of the Stand.



- When the Stand is at the desired height, re-tighten both knobs to secure it.



- Loosen the height adjustment knob to raise or lower the stand to your desired height.
- Once set, re-tighten the knob to lock it in place.



- Loosen the knob near the receiver to adjust the stand's height.
- Once the stand reaches the desired height, re-tighten the knob to lock it in place.



Easy Height Adjustments

3 Sections, 2 Risers



Leveling Leg For Uneven Surface

- Loosen the locking knob of the leveling leg and adjust it as desired.



- Once the leveling leg is balanced, re-tighten the locking knob to secure it.



Stand Steady & Stable Rocky Mountain Leveling Leg



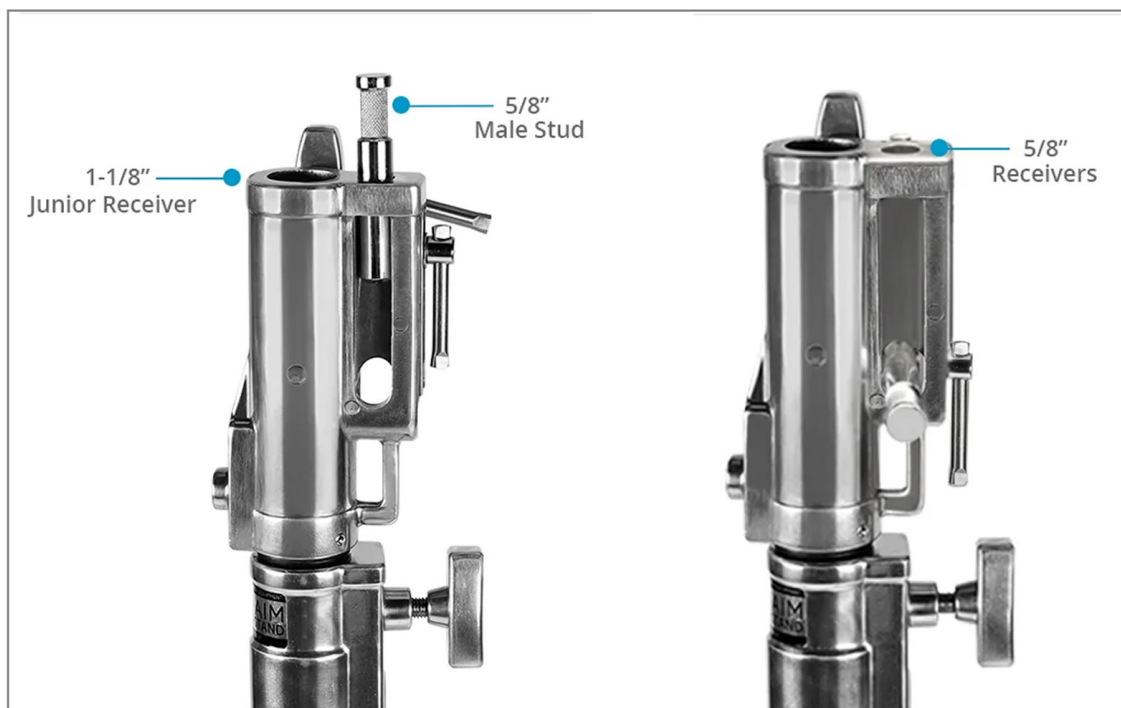
Baby Pin Adjustment

- Lift the Quick Memory collar lever upwards and rotate it to loosen the collar.
- Then, adjust the position of the Baby Pin horizontally and vertically as needed.
- Once in position, lower the Quick Memory collar lever to lock it securely.



Triple Mounting Versatility

1-1/8", 5/8" Receivers w Multi-direction 5/8" Stud



Light Mounting

- Loosen the light's knob (Not included) and securely attach the light on the stand.



- Once the light (Not included) is mounted, tighten the knob to secure it.



Flexible Positioning

Use Baby Pin Horizontally or Vertically



**YOUR PROAIM 6.7' LOW NINJA POWER STAND
ALL DRESSED UP AND READY TO GO!**



(SHOWN WITH OPTIONAL ACCESSORIES)

Warranty: We offer one-year warranty for our products from the date of purchase. Within this period, we will repair it without charge for labor or parts. The warranty doesn't cover transportation costs, nor does it cover a product subjected to misuse or accidental damage. Warranty repairs are subject to inspection and evaluation by us.

Liability: We are not liable for damage caused by products we do not supply or from mishandling in transit, accident, misuse, neglect, or lack of care of the product or service by anyone other than our company.

Contact Us: If you are dissatisfied, please contact us immediately. We promise our utmost support and care until you use our product.