

# PR→AIM

## 38" Camera Slider Stand with 1-1/8" Junior Receiver (P-SLSD-02)



---

All rights reserved.

No part of this document may be reproduced, stored in a retrieval system, or transmitted by any form or by any means, electronic, mechanical, photo-copying, recording, or otherwise, except as may be expressly permitted by the applicable copyright statutes or in writing by the Publisher.

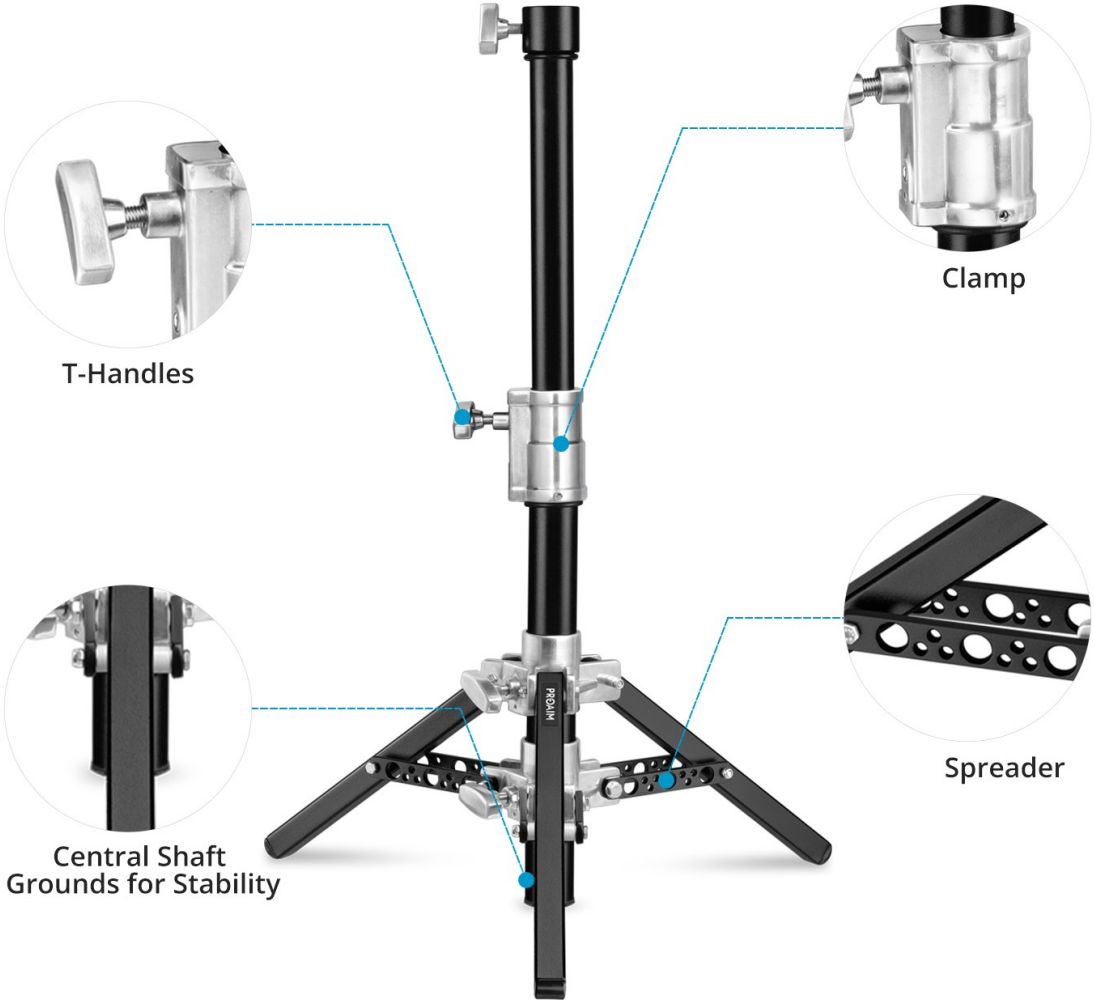
## ■ What's In The Box

Please inspect the contents of your shipped package to ensure you have received everything listed below.



**38" Camera Slider Stand**

# Features of Camera Slider Stand



T-Handles

Clamp

Central Shaft  
Grounds for Stability

Spreader

## Slider Stand Setup

- Loosen the knob on the Slider Stand and carefully spread its legs.
- Tighten the stand knob, then loosen the other stand knob, as shown in the image.
- Fully extend the stand legs, then tighten the knob firmly to secure the stand.



**Feature:** Provides smooth, effortless movement across the set for quick and efficient gear positioning.



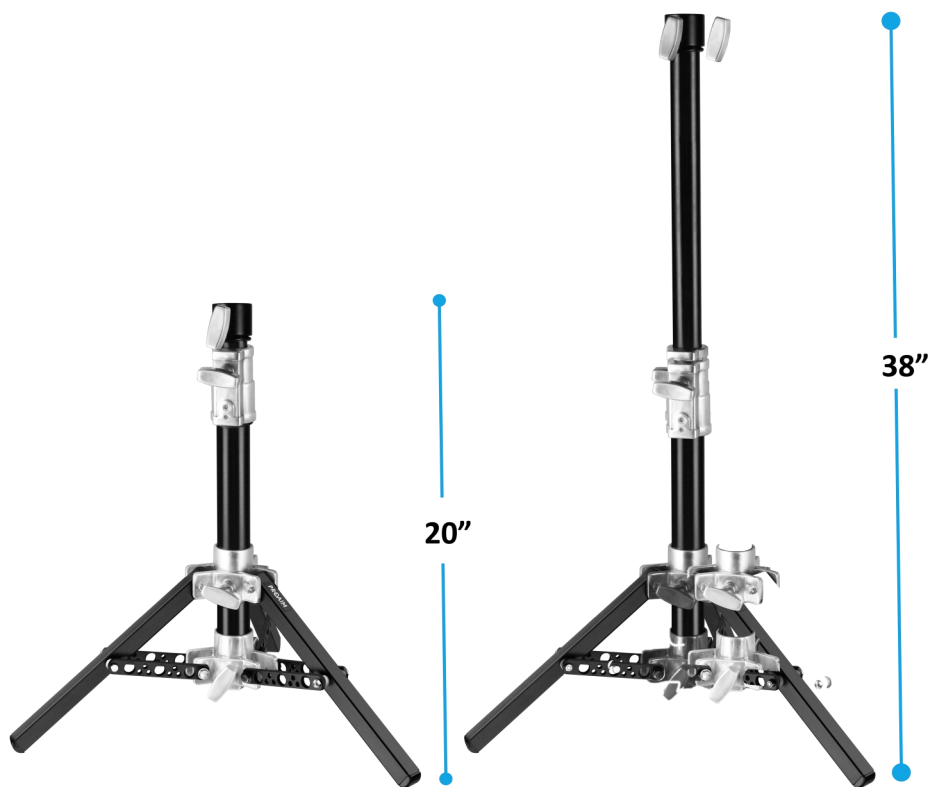
## Height Adjustment

- Loosen the knob near the receiver to adjust the height of the Stand.
- Set the stand to the desired height, then re-tighten the knob securely to lock it in place.

**Note:** The slider stand has a minimum height of 20 in (51 cm) and a maximum height of 38 in (97 cm).



## Adjustable Height



## Fusion Dolly Track Setup

- Remove the knobs from both the end spacers (Not Included).



- Loosen the knobs of both Slider stands.
- Mount the Track (Not Included) onto the Slider Stand.



- Re-insert the knobs into the end spacers and tighten them securely.



## Fusion Dolly Mounting

- Place the Fusion Dolly (Not Included) onto the track.



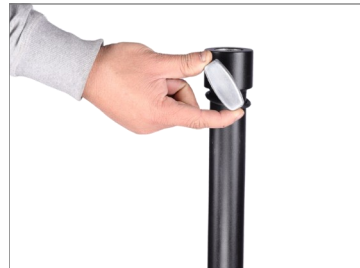
- Securely mount the camera (Not Included) onto the Fusion Dolly.

**Feature:** Proaim Slider Stand is designed to provide exceptional support for heavy-duty slider dollies, accommodating cameras of almost any size.



## Flamingo Jib Mounting Setup

- Loosen the knob on the slider stand.
- Carefully mount the Flamingo Jib (Not Included) onto the Slider Stand.



- After mounting the Jib re-tighten the knob to secure it.



- The setup is now ready for use.



**YOUR PROAIM 38" CAMERA SLIDER STAND ALL  
DRESSED UP AND READY TO GO!**



**(SHOWN WITH OPTIONAL ACCESSORIES)**

**Warranty:** We offer one-year warranty for our products from the date of purchase. Within this period, we will repair it without charge for labor or parts. The warranty doesn't cover transportation costs, nor does it cover a product subjected to misuse or accidental damage. Warranty repairs are subject to inspection and evaluation by us.

**Liability:** We are not liable for damage caused by products we do not supply or from mishandling in transit, accident, misuse, neglect, or lack of care of the product or service by anyone other than our company.

**Contact Us:** If you are dissatisfied, please contact us immediately. We promise our utmost support and care until you use our product.