



Zest Pro II Electronic Video Camera Handheld Stabilizer (ST-ZEST-PRII)



All rights reserved.

No part of this document may be reproduced, stored in a retrieval system, or transmitted by any form or by any means, electronic, mechanical, photo-copying, recording, or otherwise, except as may be expressly permitted by the applicable copyright statutes or in writing by the Publisher.

What's In The Box

Please inspect the contents of your shipped package to ensure you have received everything listed below:



Flycam Zest Pro II Stabilizer



Bottom Rod with V-Mount Battery Plate and Monitor Mount



Dovetail Plate



(5/8"-1/2") Adapter



4 x (200g)
Balancing weights



4 x (100g)
Balancing weights



2 x (1/4", 3/8")
Camera Bolts



2 x BNC Video Cables



1 x Mini -XLR
Monitor Cable

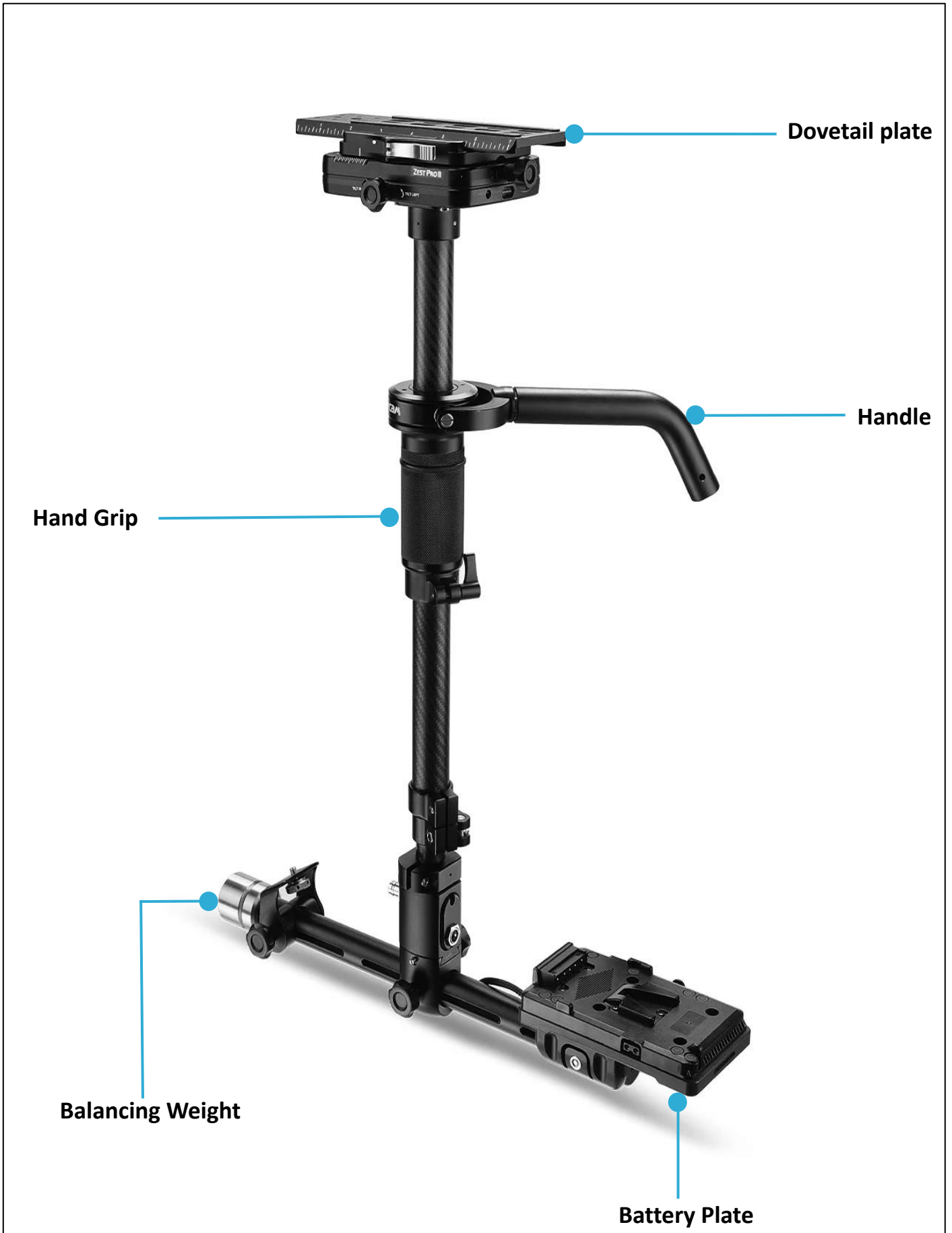


2 x (2mm, 4 mm)
T-Type Allen Key

INDEX

Sr. No.	Particulars	Page No.
1	Parts of Flycam Zest Pro II Stabilizer	4
2	Flycam Zest Pro II Stabilizer Mounting	5
3	Dovetail Plate Mounting	5-6
4	Balancing Weight Mounting	6
5	Height Adjustment	7
6	Handle Adjustment	8
7	Battery Mounting	8
8	Screen Mounting	8-9
9	Camera Mounting	9
10	Video Cables Mounting	9-10
11	Mini XLR Monitor Cable Mounting	10
12	Adapter Mounting	11
13	Flycam Zest Mounted on Stand	12
14	X-Axis and Y-Axis Adjustments	12
15	Final Setup	13

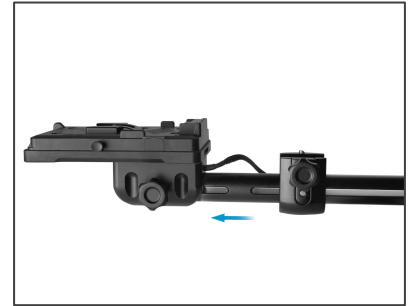
Flycam Zest Pro II Stabilizer



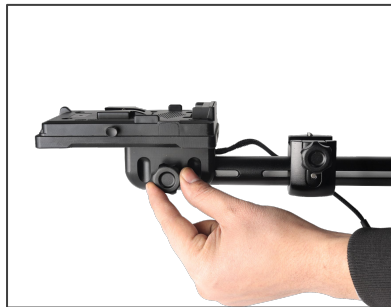
Flycam Zest Pro II Setup

Stabilizer Mounting

- Loosen the battery plate knob and slide it.



- Slide the battery plate into place and tighten the knob.
- Now slide the Flycam Zest stabilizer onto the mount.



- After placing the stabilizer into place, tighten the knob to secure it.



NOTE: To remove the stabilizer, press the pin and slide it out.



Dovetail Plate Mounting

- Unlock the Stabilizer locking knob
- Slide in the dovetail plate.



- Once the dovetail plate is slid into place, re-tighten the lever.
- The dovetail plate is securely mounted on the Stabilizer.



Easy Camera Positioning

Laser Engraved Scale Markings

1/4" Camera Bolt



3/8" Camera Bolt

Balancing Weight Mounting

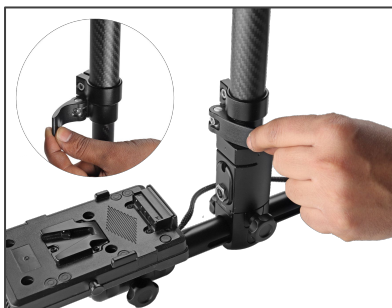
- Insert the balancing weights as needed for your setup.

Feature: Equipped with eight counterweights, it allows precise camera balancing. Adjust by adding or removing weights to ensure stability for smooth footage.



Height Adjustment

- Loosen the stabilizer knob.
- Adjust the stabilizer height by extending it upward.



- Once the stabilizer is at the desired height, re-tighten the knob to secure it.



Telescopic Carbon Fiber Center Post

Adjusts from 23" to 35.5"



Handle Adjustment

- Loosen the handle knob to adjust the handle's position.

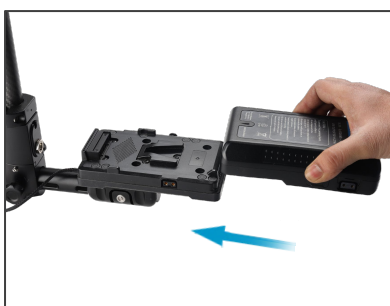


- Once the handle is in the desired position, tighten the knob to secure it.



Battery Mounting

- Slide the V-Mount Battery (Not Included) to the battery plate.



NOTE: To remove the battery, press the pin to release it.



Screen Mounting

- Mount the screen (Not Included) and secure it with the screw.



- Loosen the knob to adjust the screen position.
- Once the screen is positioned, re-tighten the knob.



- Adjust the screen position to suit your preference.



Camera Mounting

NOTE: Remove the dovetail plate from the stabilizer.

- Attach the dovetail plate to the camera (**Not Included**) and secure the camera bolt using a screwdriver (**Not Included**).



- Slide the camera with the dovetail plate onto the stabilizer and lock it securely.
- The camera is now securely mounted on the stabilizer.



Video Cables Mounting

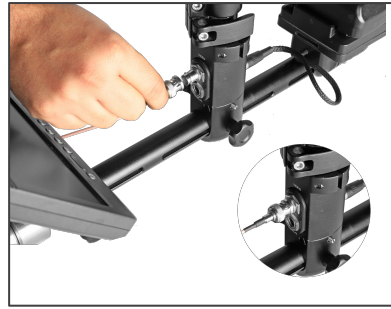
- Plug one end of the BNC video cable into the video output.
- Connect the other end of the BNC video cable to the Zest Pro Stabilizer.



- Connect the battery plate cable to the Zest Pro stabilizer (BATTERY).

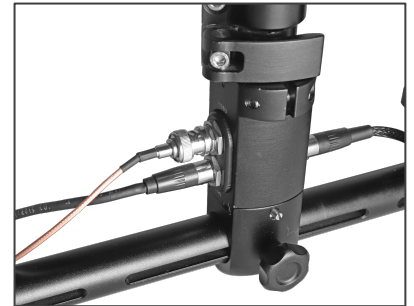
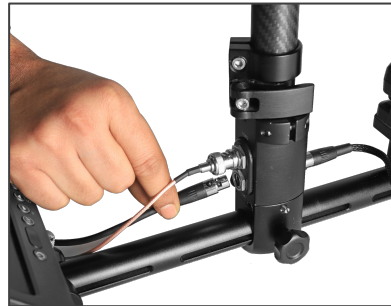


- Plug one end of the BNC video cable into the Zest Pro Stabilizer (VIDEO).
- Connect the other end of the BNC video cable to the battery (AV1 IN).



Mini XLR Monitor Cable Mounting

- Connect one end of the mini XLR monitor cable to the Zest Pro Stabilizer (MON).



- Connect the other end of the mini XLR monitor cable to the screen.



Battery Mounting & Connectivity Options



Adapter Mounting

- Loosen the adapter's knob and mount it on a stand (**Not Included**).



- Once mounted, tighten the knob to secure it.



Flycam Zest Mounted on Stand

- Mount the Zest Stabilizer on the stand.

Feature: The Zest Pro II Sled is compatible with both ½" and 5/8" masts, including popular models such as Vista, Galaxy, Cinema Arm, and Cinema Pro Arm.



X-Axis and Y-Axis Adjustments

- **Feature:** This stabilizer lets you fine-tune horizontal (tilt left-right) and vertical (tilt up-down) adjustments using knurled knobs on the camera platform.



YOUR FLYCAM ZEST PRO VIDEO CAMERA HANDHELD STABILIZER ALL DRESSED UP AND READY TO GO!



(SHOWN WITH OPTIONAL ACCESSORIES)

Warranty: We offer one year warranty for our products from date of purchase. Within this period of time, we will repair it without charge for labor or parts. Warranty doesn't cover transportation costs nor does it cover a product subjected to misuse or accidental damage. Warranty repairs are subjected to inspection and evaluation by us.

Liability: We are not liable for damage caused by products that we do not supply or from mishandling in transit, accident, misuse, neglect, lack of care of the product, or service by anyone other than our company.

Contact Us: In case of any kind of dissatisfaction, please Contact us immediately and we promise our utmost support and care until you use our product.