



Flowline XY Adjustment Mount (FLCM-FLN-XY)



All rights reserved.

No part of this document may be reproduced, stored in a retrieval system, or transmitted by any form or by any means, electronic, mechanical, photo-copying, recording, or otherwise, except as may be expressly permitted by the applicable copyright statutes or in writing by the Publisher.

What's In The Box

Please inspect the contents of your shipped package to ensure you have received everything listed below:



X-Y Adjustment Mount



Ball Screw
(Size: 8mm)



Eye Bolt
(Size: 8mm)



2 x Camera Bolts
(Size: 3/8")



2 x Camera Bolts
(Size: 1/4")



Square Bolt
(Size: 8mm)



Washer
(Size: 8x16x1mm)

X-Y Adjustment Mount Setup

Square Bolt, Washer, Ball Screw Mounting

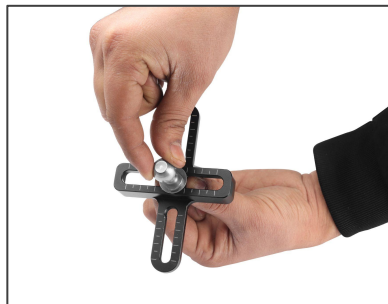
- Insert the square bolt into the bottom side of the X-Y adjustment mount.



- Place the washer onto the square bolt, then insert the ball screw.



- Secure the ball screw by rotating it fully in a 360° turn.



- Insert the (3/8") camera bolt on both sides.

NOTE: The bolt can be inserted according to your convenience.



X-Y Adjustment Mounting on Camera's Top Handle

- Mount the X-Y adjustment mount by aligning its holes with those on the camera's (Not Included) top handle.
- Tighten the bolts using a screwdriver (Not Included).



- Mount the X-Y Adjustment on the camera's top handle.

Feature: This versatile mount securely attaches to any camera's top handle, enabling you to precisely adjust the center of your setup while suspended on the Flowline cable hook.



Easy Mounting

Attach to Any Camera's Top Handle



- Attach the quick-release camera hook with the ball stud (Not Included) to the ball screw.

Feature: The Flycam Flowline XY Adjustment Mount is the ideal solution for achieving optimal front/back and left/right balance on your Flowline rig.



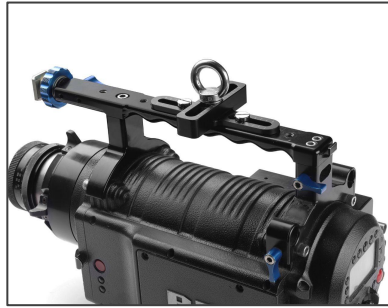
Eye Bolt Mounting

NOTE: Before mounting the eye bolt, remove the ball screw from the X-Y Adjustment mount.

- Insert the eye bolt and tighten it securely.



- Attach the frog clamp (Not Included) to the eyebolt.



- Frog clamp is securely attached to the eye bolt.



Mounts to Flowline Rigs

Via Quick Release Camera Hook or Eyebolt



Adjustment

Feature: It provides 37mm of front/back and over 70mm of left/right adjustment for precise positioning. You can adjust the eye bolt or ball stud while your camera stays securely suspended on the Flowline cable hook.



Effortless Adjustments

37mm Front/Back & 70mm Left/Right



**YOUR FLYCAM FLOWLINE XY ADJUSTMENT MOUNT
ALL SET AND READY TO USE!!**



(SHOWN WITH OPTIONAL ACCESSORIES)

Warranty: We offer one year warranty for our products from date of purchase. Within this period of time, we will repair it without charge for labor or parts. Warranty doesn't cover transportation costs nor does it cover a product subjected to misuse or accidental damage. Warranty repairs are subjected to inspection and evaluation by us.

Liability: We are not liable for damage caused by products that we do not supply or from mishandling in transit, accident, misuse, neglect, lack of care of the product, or service by anyone other than our company.

Contact Us: In case of any kind of dissatisfaction, please Contact us immediately and we promise our utmost support and care until you use our product.